

BEDIENUNGSANLEITUNG



KBS Gastrotechnik GmbH – Schoßbergstraße 26 – 65201 Wiesbaden



edenox

DRY BAIN MARIE WELLS

DBM-211-S-A, DBM-311-S-A, DBM-411-S-A, DBM-511-S-A
OF THE SERIES



E

Manual instructions
Installation and Operation

E

Manual de instrucciones
Uso y mantenimiento

D

Bedienungshinweise
Installation und Betrieb

P

Instrukcja obsługi
Obsługa i konserwacja

T

Manuel talimatları
Kurulum ve Çalıştırma

F

Manuel d'instructions
Installation et fonctionnement

P

Manual do instruções
Instalação e Operação

DRAWING OF THE DEVICE.

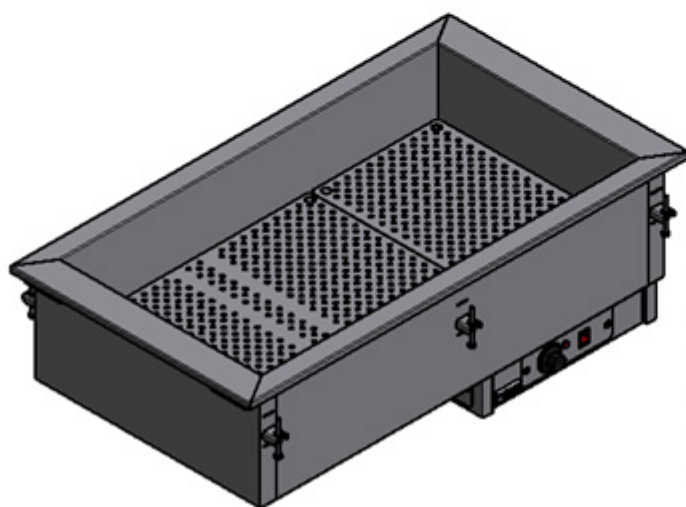
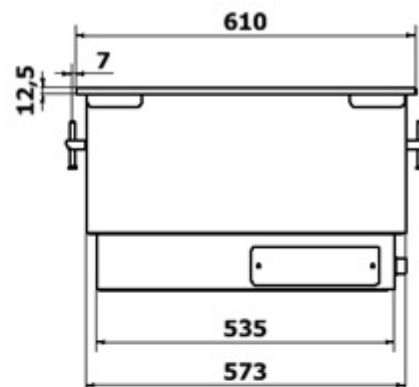
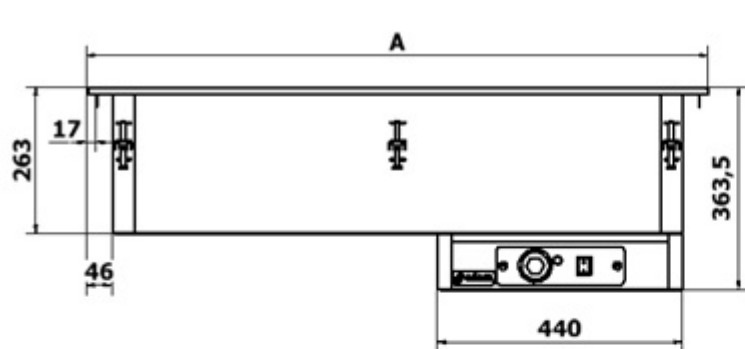
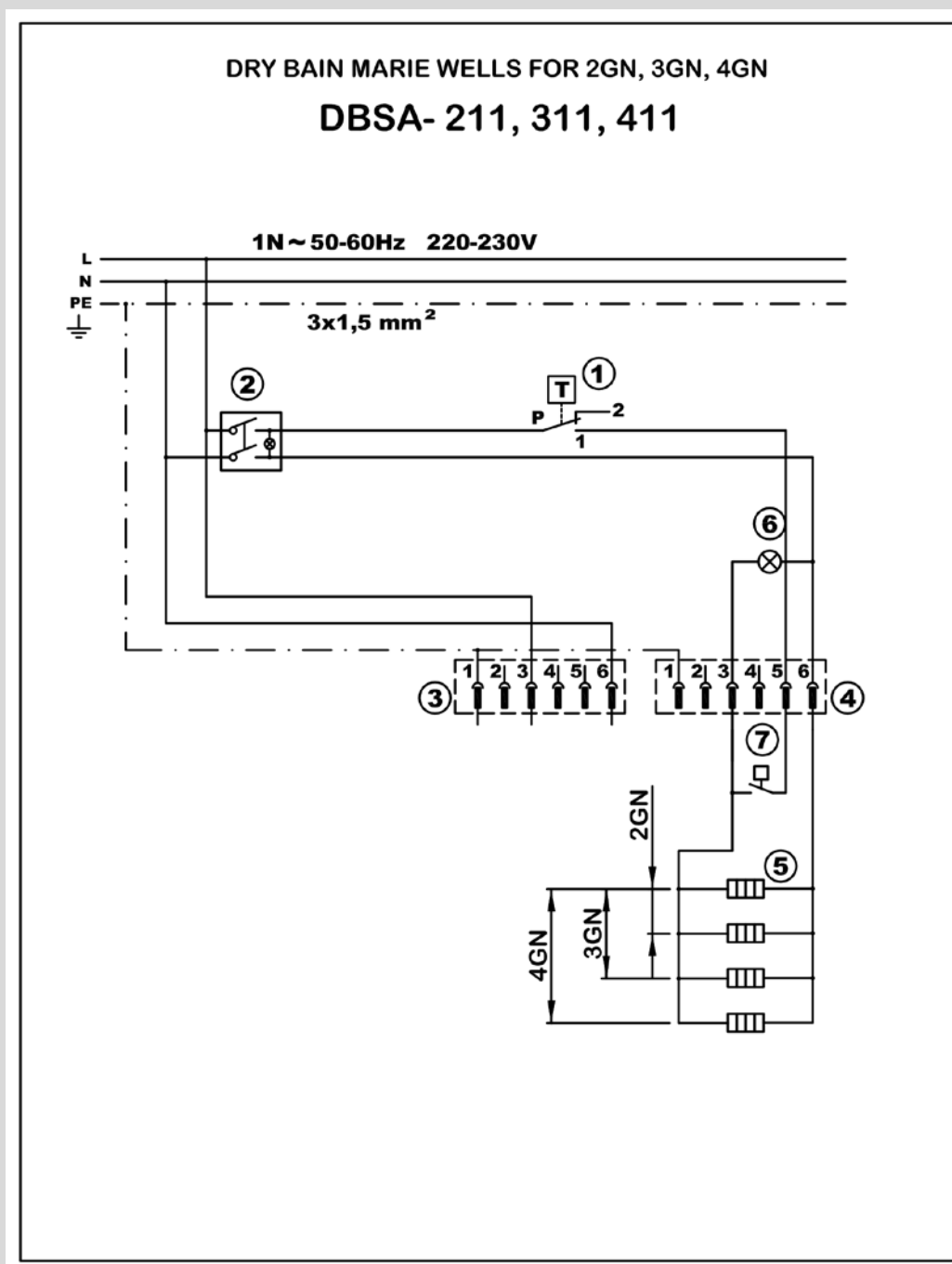
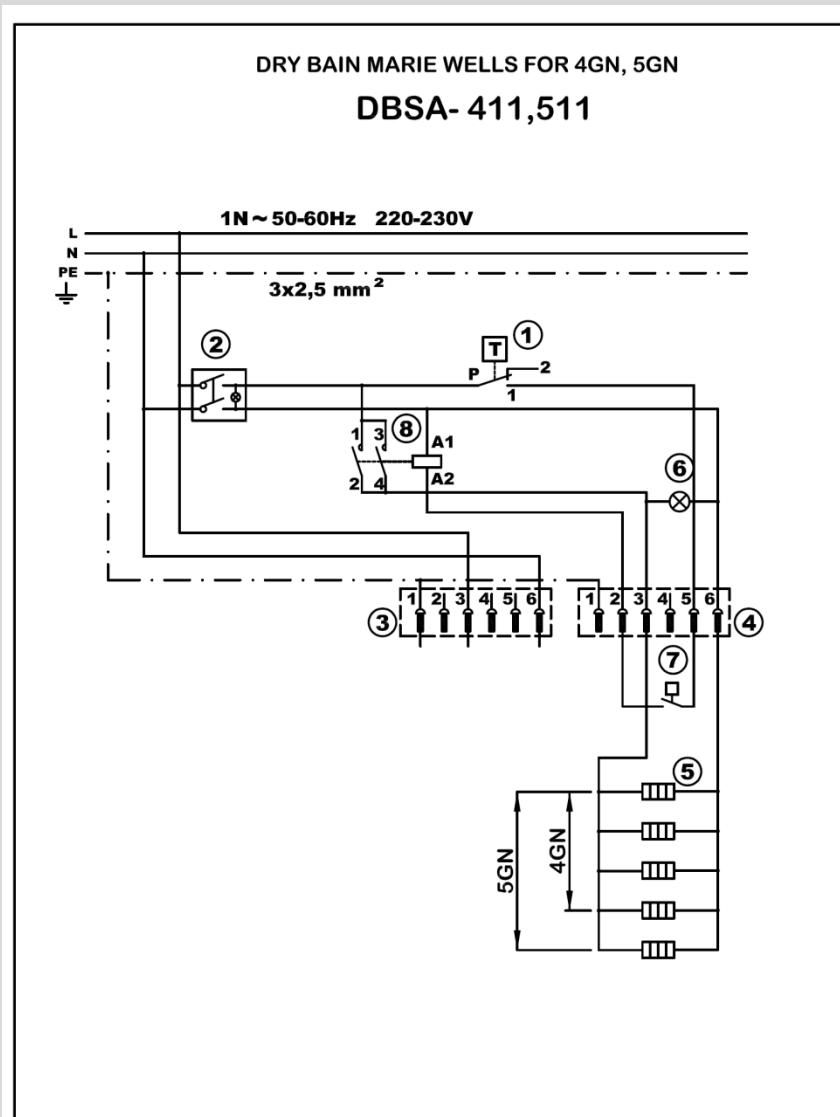


Tabela 1

(A) mm	Model	Kod
790	DBM-211-S-A	3732511
1115	DBM-311-S-A	3732512
1440	DBM-411-S-A	3732513
1765	DBM-511-S-A	3732514

ELECTRIC DIAGRAM / ESQUEMA DE CABLEADO / SCHEMAT INSTALACJI ELEKTRYCZNEJ





**LEGEND FOR ELECTRIC DIAGRAM / LEYENDA DE ESQUEMA ELÉCTRICO /
LEGENDA SCHEMATU INSTALACJI ELEKTRYCZNEJ**

- | | | |
|----------------------|--------------------------------|---------------------------|
| ① Thermostat, | ① Termostato, | ① Termostat, |
| ② Power switch, | ② Interruptor de alimentación, | ② Wyłącznik ON/ OFF, |
| ③ Connector cover A, | ③ Tapa del conector A, | ③ Złącze A, |
| ④ Connector cover B, | ④ Tapa del conector B, | ④ Złącze B, |
| ⑤ Heater 600W, | ⑤ Calentador 600W, | ⑤ Grzałka 600W, |
| ⑥ Control light, | ⑥ Piloto de control | ⑥ Lampka kontrolna, |
| ⑦ Automatic cut-off, | ⑦ Corte automático, | ⑦ Automatyczny wyłącznik, |
| ⑧ Contactor. | ⑧ Contactor . | ⑧ Stycznik. |

FIGURE 1

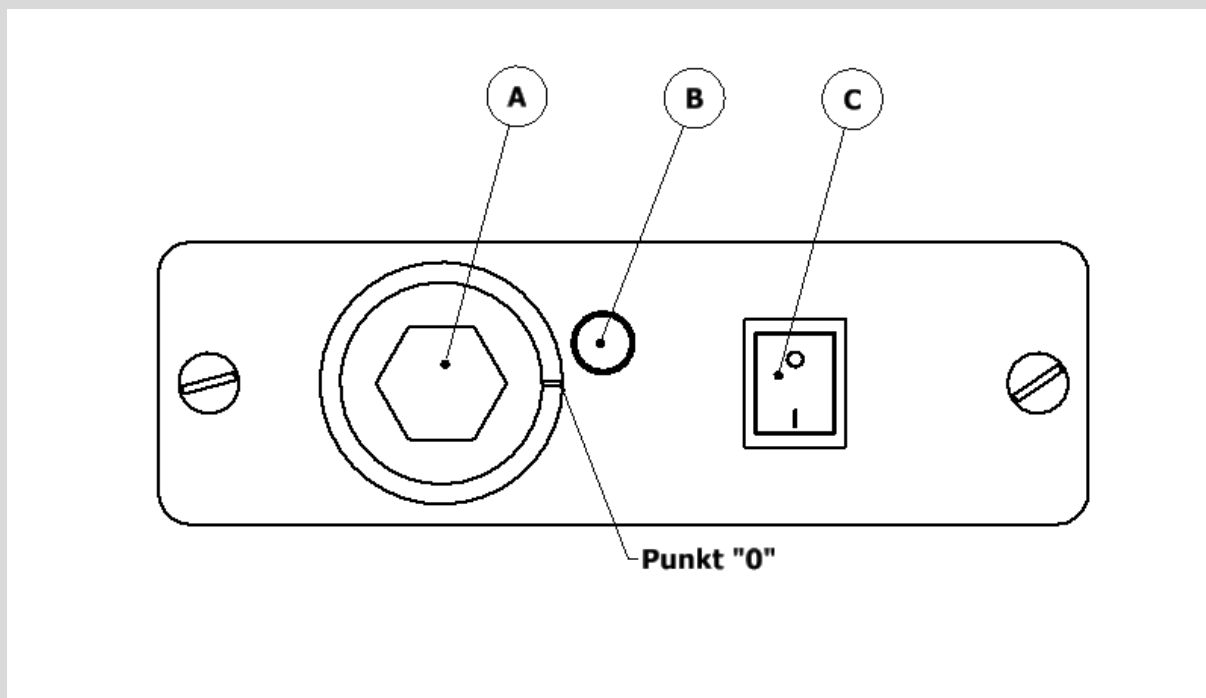
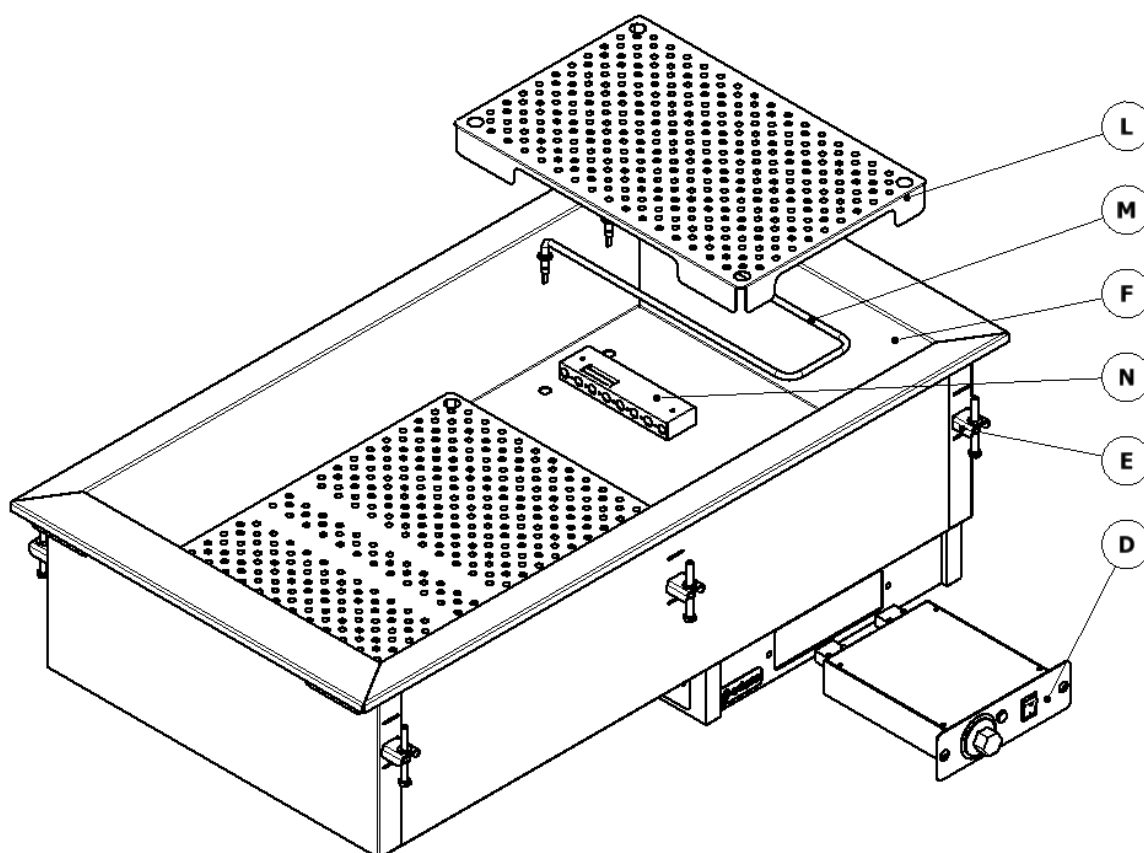


FIGURE 2



MANUAL INSTRUCTION INDEX

English	1
1. <i>Introduction</i>	1
1.1 Introduction to machine	
1.2 Important safety information	
1.3 Specifications Chart	
2. <i>Installation</i>	2
2.1 General information.	
2.2 Transport, handling, unpacking, location.	
2.3 Intended use and restrictions.	
2.4 Manufacturer's identification label description.	
2.5 Installation and assembly.	
2.6 Connections (electric, gas, water)	
3. <i>Operation</i>	6
3.1 General information.	
3.2 Control panel description.	
3.3 Machine settings and programs.	
4. <i>Maintenance</i>	7
4.1 General safety rules.	
4.2 Machine cleaning and maintenance routine.	
4.3 Machine disposal.	
5. <i>Troubleshooting chart</i>	9
5.1 Troubleshooting guide chart	
Español	11
1. <i>Introducción</i>	11
2. <i>Instalación</i>	12
3. <i>Uso y operación</i>	14
4. <i>Mantenimiento</i>	17
5. <i>Solución de problemas</i>	20
Polski	21
1. <i>Wprowadzenie</i>	21
2. <i>Instalacja</i>	22
3. <i>Obsługa</i>	25
4. <i>Konserwacja</i>	27
5. <i>Rozwiązywanie problemów</i>	29

1. INTRODUCTION

- 1.1 Description of the device and its specific models
- 1.2 Important safety guidelines
- 1.3 Technical parameters

1.1 DESCRIPTION OF THE DEVICE AND ITS SPECIFIC MODELS.

The structure of the air bain-marie is based on one air chamber (Figure 2, 'F'). Depending on the model, chambers may differ in size. Also, the number of the GN1/1 containers may vary: DBSA-211 has two containers, 311 three containers, 411 four containers, and 511 five containers. Inside the lower part of the air chamber heating elements are located (Figure 2, 'M'), covered from the top by perforated plates. (Figure 2, 'L').

Additionally, near the outermost right-hand heating element is a holder with a temperature sensor (Figure 2, 'N') of the thermal safety switch. A control panel (Figure 2, 'D') is located on the right-hand side, under the air chamber (Figure 1, switch 'C', thermostat 'A', control 'B').

1.2 IMPORTANT SAFETY GUIDELINES.



The water bain-marie is powered by electricity. It may be operated only by personnel trained to use professional gastronomic equipment.

Only personnel skilled in servicing of professional gastronomic equipment may maintain the bain-marie.

While using the air bain-marie, you must strictly follow the safety instructions below:

- be very careful while carrying or using a hot container of the bain-marie; make sure that no liquid is spilled onto the heating elements, since their maximum operating temperature may be as high as 480°C;
- before cleaning the device, make sure the thermostat control is set to zero and the power supply is disconnected from the device;
- in case of a fault, disconnect the device from power supply and contact service personnel;
- the device may be connected to power supply only after the fault is removed.

The following is strictly forbidden:

- cleaning and repairing when the bain-marie is operating;
- cooling the heating elements with water or other liquids;

- leaving the device unsupervised when it is operating;
- keeping up the maximum power and temperature of the device for a long time, with the air chamber uncovered;
- using the device when it is not earthed;
- operating without protective clothing;
- carrying or transporting the device without a pallet or a suitable platform.

The manufacturer shall not be held liable for any damage attributable to the failure to follow the instructions contained in this manual, hence it is recommended that you carefully read all information herein.

Keep the manual for later use.

Warning!!!

Do not use the device if it is faulty.

1.3 TECHNICAL PARAMETERS

MODEL	EXTERNAL DIMENSIONS (mm)			CAPACITY GN 1/1	*CUTOUT DIMENSIONS (mm)		VOLTAGE (V/Hz)	POWER (W)	WEIGHT (kg)
	length	width	high		length	width			
DBM-211-S-A	790	610	364	2 x GN1/1	770	585	230/50	1200	
DBM-311-S-A	1115	610	364	3 x GN1/1	1095	585	230/50	1800	
DBM-411-S-A	1440	610	364	4 x GN1/1	1420	585	230/50	2400	
DBM-511-S-A	1765	610	364	5 x GN1/1	1745	585	230/50	3000	47

2. INSTALLATION

- 2.1 General information.
- 2.2 Transport, lifting, unpacking, storage.
- 2.3 Intended use and limitations.
- 2.4 Layout and description of the manufacturer's rating label.
- 2.5 Installation and assembly.
- 2.6 Connections (electricity, gas, and water).

2.1 GENERAL INFORMATION.

The air bain-marie should be unpacked, installed and tested by qualified service personnel. After being brought into the room where it is going to be installed, the device should be left for approximately 6 hours so that it can achieve the ambient temperature. Then it can be connected to power supply.

The conductor diameter of the power cable should not be smaller than the values given in the table below.

Model	Designation of the power cable (type, number of conductors, cross-section area of conductors)
DBM-211-S-A, 311	PCG 3 x 1.5 mm ²
DBM-411-S-A, 511	PCG 3 x 2.5 mm ²

The power switch should be connected directly to the power terminal (electric cabinet), while making it possible to safely and reliably disconnect all phases powering the device. When the circuit is broken, the gap between the jumpers of the switch should not be smaller than 3mm.

After installation, the device must be checked for leakage conductance. The value of leakage conductance per 1kW of the power of the device should be lower than 1mA.

Warning!!!

If an equipotential bonding bar is required, its connections must be checked.

2.2 TRANSPORT, LIFTING, UNPACKING, STORAGE.

Correct and safe transport:

- use equipment appropriate for the weight and structure of the devices;
- cover corners and sharp edges;

Before carrying:

- secure the area against unauthorised personnel;
- make sure that the load is properly secured;
- check all loose components lest they should fall when being lifted;
- try to lift the load as vertically as possible so as not to make any dents in it;
- while carrying the load, make sure that it is as near the ground as possible.

2.3 INTENDED USE AND LIMITATIONS.

Featuring the GN containers, the air bain-marie is used to keep and display hot meals that have been prepared beforehand, allowing them to be served later.

Before using the air bain-marie, its electrical system needs to be checked for efficiency and reliability.

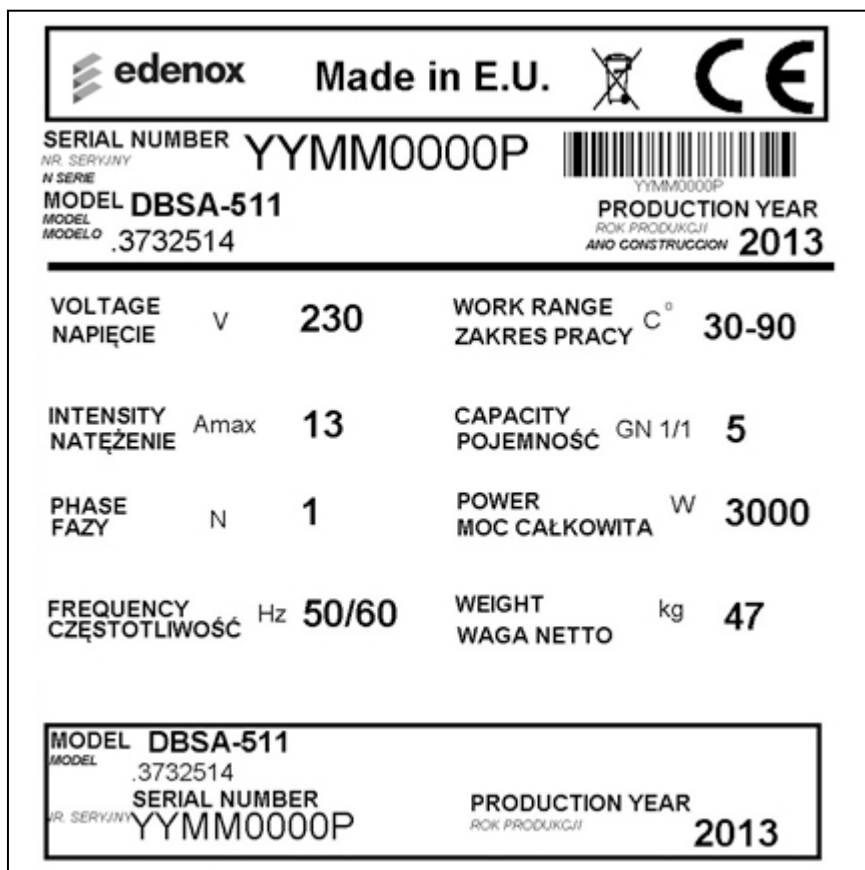
After work, set the power control to 0 (Figure 1, 'Point 0').

Switch off the device by setting the control on the panel to 0 (Figure 1, 'C'), and then disconnect the power cable of the air bain-marie.

WARNING!!!

Before the bain-marie is first put into operation, it is necessary to remove the protective film and the protective substance from the surface of the device by wiping it with soapy water, concentrating on the inner surface of the device’s chamber, perforated plates, and the region of the heating elements.

2.4 LAYOUT AND DESCRIPTION OF THE MANUFACTURER’S RATING LABEL.



The label of the device should contain the following information:

1. *Manufacturer’s logo.*
2. *Country of origin.*
3. *Year of production.*
4. *Serial number.*
5. *Model.*
6. *Operating voltage.*
7. *Current frequency.*
8. *Rated power.*
9. *CE marking.*
10. *Disposal symbol.*

2.5 INSTALLATION AND ASSEMBLY.

The air bain-marie should be installed in the following order:

- remove the protective film from all metal surfaces; the bain-marie must be installed in a well ventilated room, under a ventilation hood, if possible; it can be located on a free-standing base or as part of a row consisting of other kitchen devices as well;
- power supply should be connected to the air bain-marie in compliance with applicable regulations;
- install and connect the bain-marie in such a way that live wires cannot be accessed without tools; the fuses of the power system of the bain-marie should be designed for 25A current;
- put the air bain-marie in the place intended for installation; fix the bain-marie to the worktop, using mounting holders (figure 2, 'E') on the outer vertical walls of the device; the height and the levelling of the device should be adjusted before it is installed on the base;
- connect the earth system of the device to the earth bar in such a way that it cannot be disconnected inadvertently or unexpectedly; the power cable should contain a protective conductor;
- to connect the bain-marie, use a cable of an appropriate length, so that it can hang freely from the device (on no account may it be tight) when firmly and permanently attached to the terminals of the connection block and the terminals of the power plug;

The conductor diameter of the power cable should not be smaller than the values given in the table below.

Model	Designation of the power cable (type, number of conductors, cross-section area of conductors)
DBSA-211, 311	PCG 3 x 1.5 mm ²
DBSA-411, 511	PCG 3 x 2.5 mm ²

2.6 CONNECTIONS (ELECTRICITY, GAS, AND WATER).

The power cable used with the device should have 3 cords, the diameters of which may not be smaller than suggested in the manual.

Designed to be powered by 230V, 50-60Hz mains power, the device's power cable is equipped with a PE protective conductor.

The electrical connection is located near the base, on the back of the device.

WARNING!!!

Prior to first use, it is necessary to remove the protective film and the protective substance from the surface of the bain-marie chamber and from the perforated plates by wiping them with a soft cloth moistened with soapy water.

3. OPERATION

- 3.1 General information.
- 3.2 Description of the control panel.
- 3.3 Operation modes and configuration of the device.

3.1 GENERAL INFORMATION.

Follow the instructions below to make work and operation safe, as well as to ensure the durability and fault-free operation of the device:

- provide training for the personnel who is to use the device in the operation of professional electrical gastronomic equipment;
- the device may be repaired only by an authorised person;
- damaged components or subassemblies should be replaced with the same items or ones with similar durability, features and technical parameters.

The following must always be observed:

- do not connect the device to the mains via a socket that is NOT provided with an earthing pin;
- do not connect the device to an electrical system that has not been checked for fire safety;
- do not clean or have the device maintained when connected to the power supply.

WARNING!!!

DO NOT wash the bain-marie using a water jet.

WARNING!!!

The manufacturer shall not be held liable if the device is used without the observation of this manual or outside of its intended use.

3.2 DESCRIPTION OF THE CONTROL PANEL.

The control panel is located on the right-hand side of the bain-marie, under the air chamber (Figure 2, 'D'). It features (see Figure 1) a thermostat control (A), control lamp (B), and a power switch (C). The thermostat control is used to adjust temperature in the heating chamber. It is steplessly variable within a range of 30°C to 90°C.

Whether the desired temperature has been reached in the air chamber of the bain-marie is shown by the control lamp (B). The power switch is used to turn on and off the device by setting it to 1 or 0 respectively.

3.3 OPERATION MODES AND CONFIGURATION OF THE DEVICE.

A thermostat control is used to adjust the temperature of the bain-marie chamber (Figure 1, 'A'). It is steplessly variable within a range of 30°C to 90°C. The control lamp (Figure 1, 'B') for the heating elements switches on each time the temperature in the bain-marie chamber falls a few degrees.

Air heating time in the bain-marie chamber depends largely on the tightness of the chamber cover. Hence, the heating chamber should be covered while operating, all the more so when not all GN container slots are used.

In order to avoid the overheating (resistance) of the heating elements, the device is provided with a safety switch. This cuts off power from the heating elements when the temperature inside the chamber exceeds 140°C.

4. MAINTENANCE

- 4.1 General safety requirements.
- 4.2 Cleaning and general maintenance.
- 4.3 Disposal of the device.

4.1 GENERAL SAFETY REQUIREMENTS.

All outer steel surfaces and all inner surfaces of the bain-marie chamber must be cleaned daily using a small amount of detergent and lukewarm water. After being cleaned, the surfaces should be rinsed with cold water and dried.

Do not clean acid-resistant steel surfaces with scrapers or wire cleansers, since they can scratch the surfaces.

If the device is not going to be used for a long time, cover its surfaces, particularly the inner surfaces of the bain-marie chamber, with a thin coat of Vaseline or a preservative that may come into contact with food.

IMPORTANT!!!

Do not wash the bain-marie using a water jet, since this may damage the electrical or electronic components important for the proper operation of the device.

The device may be maintained only by trained and specialized personnel using suitable protective clothing (shoes, gloves, goggles, etc), tools, instruments, and accessories.

Before using or repairing the device, read the instruction manual containing proper procedures and safety information.

4.2 CLEANING AND GENERAL MAINTENANCE.

All outer steel surfaces and all inner surfaces of the bain-marie chamber must be cleaned daily using a small amount of detergent and lukewarm water. After cleaning, the surfaces must be rinsed with cold water and dried, with special attention paid to the lower inner surface of the bain-marie chamber.

Do not clean acid-resistant steel surfaces with scrapers or wire cleansers, since they can scratch the surfaces.

If the device will not be used for a long time, cover its surfaces, particularly the inner surfaces of the air bain-marie chamber and the perforated plates, with a thin coat of Vaseline or a preservative that may come into contact with food.

IMPORTANT!!!

Do not wash the bain-marie using a water jet, since this may damage the electrical or electronic components important for the proper operation of the device.

Before starting a cleaning or maintenance procedure, disconnect the device from the mains. After cleaning, leave the device open to dry.

When the device is being serviced, the power cable and the plug should be in sight and on hand so that the person working can easily access them.

4.3 DISPOSAL OF THE DEVICE.

When its lifetime comes to an end, the device must be carried to an electronic and electronic waste disposal facility.

This is indicated by a symbol on the product, in the instruction manual, and on the on the packaging.

In order to prepare the electrical bain-marie to be disposed of, it is necessary to sort the elements of the device according to the materials they are made of.

Depending on the material these element are made of (see the symbols on the components), they can be recycled. Having electric waste and electronic equipment recycled means an active contribution to the protection of the environment.

Contact local authorities to obtain more information on the nearest electrical waste collection facility.

To protect the environment, deliver waste equipment to a suitable facility in compliance with applicable regulations.

Make sure that the electrical equipment is delivered to a facility in which it will be disposed of properly. Some of the materials used may be stored temporarily, and some must be delivered immediately to a suitable facility. In each case the environmental protection regulations must be observed.

Before disposing of the device, check its technical condition. In particular, check the construction elements which may cause leakage when disposed of. Different parts of the device are disposed differently, depending on their features (e.g. metals, oils, lubricants, plastic, rubber, etc.).

5. TROUBLE-SHOOTING

5.1 Trouble-shooting information.

5.1 TROUBLE-SHOOTING INFORMATION.

IMPORTANT!!!

Electrical subassemblies may be replaced only by an authorised service technician.

It must be made a principle to disconnect the power cable from the power supply before electrical components are replaced.

It must be made a principle to disconnect the power cable from the power supply before electrical components are replaced.

FAULT	POSSIBLE CAUSE	REMEDY
The chamber of the bain-marie does not heat up; the switches and the thermoregulator are on; the control lamp does not work.	<ul style="list-style-type: none"> - Power supply failure. - The terminals of the conductors loosened on the power strip. - The thermoregulator or the thermal switch is damaged. - The switches are damaged. 	Connect to power supply. Appropriately fix the conductors to the power strip. Replace the damaged components.
The air in the bain-marie chamber is insufficiently heated.	<ul style="list-style-type: none"> - Some heating elements are disconnected. - Heating elements are damaged. 	Check that the heating elements are properly connected. Replace the damaged components.
The control lamp of the heating elements does not switch on, though these elements heat up.	<ul style="list-style-type: none"> - Control lamp burnt out. - The electrical circuit of the control lamp is open. 	Replace the control lamp. Repair the wires of the control lamp.

The guarantee does not cover the following:

Bulbs, rubber elements, heating elements damaged by boiler scale, panes, any mechanical damage or any damage caused by improper use of the device in violation of the instructions.

In case of a fault, remove the food kept in the device to prevent it from going bad. EDENOX is not responsible for any commodities wasted as a result of a fault.

1 INTRODUCCIÓN

- 1.1 Descripción del dispositivo y sus modelos específicos
- 1.2 Pautas importantes de seguridad
- 1.3 Parámetros técnicos

1.1 DESCRIPCIÓN DEL EQUIPO Y SUS MODELOS ESPECÍFICOS

La estructura del baño de aire maría se basa en una cámara de aire (Dibujo 2, 'F'). Dependiendo del modelo, las cámaras pueden diferir en tamaño. También el número de los recipientes GN 1/1 puede variar: DBSA-211 tiene dos recipientes 2, 311, 411 tres contenedores de cuatro contenedores, y 511 de cinco recipientes. Dentro de la parte inferior de los elementos de calefacción de la cámara de aire se encuentran (Dibujo 2, 'M'), cubierta de la parte superior de las placas perforadas. (Dibujo 2, 'L').

Además, cerca de la resistencia, a la derecha más exterior hay un soporte con un sensor de temperatura (Dibujo 2, 'N') del interruptor térmico de seguridad. Un panel de control (Dibujo 2, 'D') se encuentra en el lado derecho, debajo de la cámara de aire (Dibujo 1, el interruptor "C", el termostato 'A', control de 'B').

1.2 PAUTAS IMPORTANTES DE SEGURIDAD



El baño de aire maría funciona con electricidad. Puede ser operado solamente por personal entrenado para utilizar el equipo gastronómico profesional.

Sólo personal especializado en el mantenimiento de equipos gastronómicos profesionales puede mantener el baño maría.

Durante el uso del baño de aire maría, debe seguir estrictamente las siguientes instrucciones de seguridad:

- tener mucho cuidado al llevar o usar un recipiente caliente del baño de aire maría; asegurarse de que no se derrama líquido sobre los elementos de calefacción, ya que su temperatura de funcionamiento máxima puede llegar hasta 480 ° C;
- antes de limpiar el dispositivo, asegúrese de que el control del termostato se pone a cero y la fuente de alimentación está desconectada de dispositivo;
- en caso de un fallo, desconecte el dispositivo de la fuente de alimentación y contacte el personal de servicio;
- el dispositivo puede estar conectado a la fuente de alimentación sólo después de que se elimina el fallo.

Lo siguiente está estrictamente prohibido:

- limpieza y reparación cuando el baño de aire maría está funcionando;
- enfriamiento de los elementos de calefacción con agua u otros líquidos;
- dejar el dispositivo sin supervisión cuando esté funcionando;
- mantener la potencia máxima y la temperatura máxima del dispositivo durante mucho tiempo, con la cámara de aire al descubierto;
- utilizar el dispositivo cuando no está puesto a tierra;
- operar sin la ropa de protección;
- llevar o transportar el dispositivo sin una paleta o una plataforma adecuada.

El fabricante no se hace responsable de los daños derivados del incumplimiento de las instrucciones contenidas en este manual, por lo tanto, se recomienda que lea detenidamente toda la información en este documento.

Guarde el manual para su uso posterior.

ADVERTENCIA

No utilice el dispositivo si está defectuoso.

1.3 PARÁMETROS TÉCNICOS

MODELO	DIMENSIONES EXTERNAS (mm)			CAPACIDAD GN 1/1	* RECORTE DIMENSIONES (mm)		TENSIÓN (V/Hz)	POTENCIA (W)	PESO (kg)
	longitud	anchura	altura		longitud	anchura			
DBM-211-S-A	790	610	364	2 x GN1/1	770	585	230/50	1200	
DBM-311-S-A	1115	610	364	3 x GN1/1	1095	585	230/50	1800	
DBM-411-S-A	1440	610	364	4 x GN1/1	1420	585	230/50	2400	
DBM-511-S-A	1765	610	364	5 x GN1/1	1745	585	230/50	3000	47

2. INSTALACIÓN

- 2.1 Información general.
- 2.2 Transporte, elevación, desembalaje, almacenaje.
- 2.3 Uso previsto y limitaciones.
- 2.4 Estructura y descripción de la etiqueta de la calificación del fabricante.
- 2.5 Instalación y montaje.
- 2.6 Conexiones (eléctrica, de gas y agua).

2.1 INFORMACIÓN GENERAL

Es necesario descomprimir el baño de aire maría, instalar y probar por personal técnico cualificado. Después de ser llevado a la sala donde se lo va a instalar, el dispositivo se debe dejar durante aproximadamente 6 horas para que pueda alcanzar la temperatura de ambiente. Entonces se lo puede conectar a la fuente de alimentación.

El diámetro del conductor del cable de alimentación no debe ser menor que los valores indicados en la siguiente tabla.

Modelo	Designación del cable de alimentación (tipo, número de conductores, área de sección transversal de los conductores)
DBM-211-S-A, 311	PCG 3 x 1.5 mm ²
DBM-411-S-A, 511	PCG 3 x 2.5 mm ²

El interruptor de alimentación se debe conectar directamente al terminal de alimentación (armario eléctrico), mientras que por lo que es posible desconectar de forma segura y fiable todas las fases de encender el dispositivo. Cuando se rompe el circuito, la brecha entre los puentes del interruptor no debe ser inferior a 3 mm.

Después de la instalación, el dispositivo debe ser revisado para la conductancia de fuga. El valor de la conductancia de fuga por 1 kW de la potencia del dispositivo debe ser inferior a 1 mA.

Advertencia

Si se necesita una barra de compensación de potencial, sus conexiones deben revisarse.

2.2 TRANSPORTE, ELEVACIÓN, DESEMBALAJE, ALMACENAMIENTO

Transporte correcto y seguro:

- usar un equipo adecuado para el peso y la estructura de los dispositivos;
- cubrir esquinas y los bordes afilados;

Antes de llevar:

- asegurar el área contra personal no autorizado;
- asegurarse de que la carga esté bien sujeta;
- verificar todos los componentes sueltos para que no caigan cuando se lo levante;
- tratar de levantar la carga lo más verticalmente posible para no hacer abolladuras en ella;
- mientras llevar la carga, asegúrese de que sea lo más cerca posible del suelo.

Advertencia

El dispositivo debe ser transportado en la posición de funcionamiento. La inclinación del dispositivo puede dañarlo.

2.3 USO PREVISTO Y LIMITACIONES

Con los envases de GN, el baño de aire maría se utiliza para mantener y exhibir comidas calientes que se han preparado de antemano, lo que les permite ser servidas después.

Antes de utilizar el baño de aire maría, su sistema eléctrico tiene que ser revisado por la eficiencia y la fiabilidad.





Después del trabajo, establecer el control de potencia a 0 (Dibujo 1, "Punto 0").

Apague el dispositivo ajustando el control en el panel a 0 (Dibujo 1, 'C'), y luego desconecte el cable de alimentación del baño de aire maría.

Advertencia

Antes de la primera puesta en funcionamiento del baño de aire maría, es necesario retirar la película protectora y la sustancia protectora de la superficie del dispositivo limpiándolo con agua jabonosa, concentrándose en la superficie interior de la cámara del dispositivo, placas perforadas, y la región de los elementos de calentamiento.

2.4 DISPOSICIÓN Y DESCRIPCIÓN DE LA ETIQUETA DE CALIFICACIÓN DEL FABRICANTE

		Made in E.U.			
SERIAL NUMBER		YYMM0000P			
NR. SERYJNY N SERIE		YYMM0000P		PRODUCTION YEAR	
MODEL DBSA-511		ROK PRODUKCJI		2013	
MODELO		.3732514		ANO CONSTRUCCION	
VOLTAGE	V	230	WORK RANGE	C°	30-90
NAPIĘCIE			ZAKRES PRACY		
INTENSITY	Amax	13	CAPACITY	GN 1/1	5
NATEŻENIE			POJEMNOŚĆ		
PHASE	N	1	POWER	W	3000
FAZY			MOC CAŁKOWITA		
FREQUENCY	Hz	50/60	WEIGHT	kg	47
CZĘSTOTLIWOŚĆ			WAGA NETTO		
MODEL DBSA-511		PRODUCTION YEAR		2013	
MODELO		ROK PRODUKCJI			
.3732514					
SERIAL NUMBER		YYMM0000P			
NR. SERYJNY					

La etiqueta del producto deberá contener la siguiente información:

1. *Logotipo del fabricante.*
2. *País de origen.*
3. *Año de producción.*
4. *Número de serie.*
5. *Modelo*
6. *Tensión de servicio.*
7. *Frecuencia actual.*
8. *Potencia nominal.*
9. *Marcado CE.*
10. *Símbolo de disposición*

2.5 INSTALACIÓN Y MONTAJE

El baño de aire maría se lo debe instalar en el siguiente orden:

- retire la película protectora de todas las superficies metálicas; el baño de aire maría debe ser instalado en una sala bien ventilada, bajo una campana de ventilación, si es posible; que puede estar ubicado en una base de forma independiente o como parte de una fila que consta de otros dispositivos de la cocina también;
- fuente de alimentación debe estar conectada al baño de aire maría en el cumplimiento de la normativa aplicable;
- instalar y conectar el baño de aire maría de tal manera que a los cables no se puede acceder sin necesidad de herramientas; los fusibles del sistema eléctrico del baño de aire maría se deben diseñar para la corriente 25A;
- poner el baño de aire maría en el lugar destinado para la instalación; fijar el baño de aire maría a la encimera, con los titulares de montaje (Dibujo 2, 'E') en las paredes verticales exteriores del dispositivo; la altura y la nivelación del dispositivo deben ser ajustadas antes de instalarlo en la base;
- conectar el sistema de tierra del dispositivo a la barra de tierra de una manera tal que no puede ser desconectado de forma inadvertida o inesperadamente; el cable de alimentación debe contener un conductor de protección;
- para conectar el baño de aire maría, utilice un cable de longitud adecuada, de modo que pueda colgar libremente desde el dispositivo (en ningún caso podrá ser ajustado) cuando está conectado con firmeza y de forma permanente a los bornes del bloque de conexión y los terminales del enchufe de alimentación;

El diámetro de los conductores del cable de alimentación no debe ser menor que los valores indicados en la tabla a continuación.

Modelo	Designación del cable de alimentación (tipo, número de conductores, área de sección transversal de los conductores)
DBSA-211, 311	PCG 3 x 1.5 mm ²
DBSA-411, 511	PCG 3 x 2.5 mm ²

2.6 CONEXIONES (ELÉCTRICA, DE GAS Y AGUA)

El cable de alimentación usado con el dispositivo debería tener 3 conductores, los diámetros de los cuales no pueden ser menores de lo sugerido en el manual.

Diseñado para ser alimentado por 230V, tensión de red 50-60Hz, cable de alimentación del dispositivo está equipado con un conductor de protección PE.

La conexión eléctrica se encuentra cerca de la base, en la parte posterior del dispositivo.

Advertencia

Antes de la operación, es necesario retirar la película protectora y la sustancia protectora de la superficie de la cámara del baño maría, frotándolo con un paño suave humedecido con agua jabonosa.

3. FUNCIONAMIENTO

- 3.1 Información general.
- 3.2 Descripción del panel de control.
- 3.3 Modos de funcionamiento y configuración del dispositivo.

3.1 INFORMACIÓN GENERAL

Siga las siguientes instrucciones para realizar el trabajo y el funcionamiento seguro, así como para garantizar la durabilidad y el funcionamiento sin fallos del dispositivo:

- proporcionar una formación para el personal que va a usar el dispositivo en la operación de equipos profesionales gastronómicos eléctricos;
- el dispositivo puede ser reparado por una persona autorizada;
- componentes o subconjuntos dañados deben ser sustituidos con los mismos elementos o los que tienen una durabilidad, características y parámetros técnicos similares.

A continuación se debe mantener:

- no conecte el dispositivo a la red mediante un enchufe que no se suministra con una clavija de puesta a tierra;
- no conecte el dispositivo a un sistema eléctrico que no se ha comprobado para la seguridad contra incendios;
- no limpie ni mantenga el dispositivo cuando está conectado a la fuente de alimentación.

Advertencia

NO limpie el baño de aire maría con un chorro de agua, ya que esto puede dañar los componentes eléctricos o electrónicos, asegurando el correcto funcionamiento del dispositivo.

Advertencia

El fabricante no se hace responsable si el dispositivo se utiliza sin la observación de este manual o fuera de su uso previsto.

3.2 DESCRIPCIÓN DEL PANEL DE CONTROL

El panel de control se encuentra en la parte derecha del baño de aire maría, en la cámara de aire (Dibujo 2, 'D'). Cuenta con (véase el dibujo 1) un control de termostato (A), lámpara de control (B), y un interruptor de alimentación (C). El control del termostato se utiliza para ajustar la temperatura en la cámara de calentamiento. Es regulable de forma continua dentro de un rango de 30 ° C a 90 ° C.

Si se ha alcanzado la temperatura deseada en la cámara de aire del baño de aire maría se muestra por la lámpara de control (B). El interruptor de encendido se utiliza para encender y apagar el dispositivo por si se establece en 1 o 0 respectivamente.

3.3 MODOS DE FUNCIONAMIENTO Y CONFIGURACIÓN DEL DISPOSITIVO

El termostato de control se utiliza para ajustar la temperatura de la cámara de baño de aire maría (Dibujo 1, 'A'). Es regulable de forma continua dentro de un rango de 30 ° C a 90 ° C. La lámpara de control (Dibujo 1, 'B') de los elementos de calefacción se enciende cada vez que la temperatura en la cámara del baño de aire maría cae unos pocos grados.

El tiempo de calentamiento del aire en la cámara de baño de aire maría depende en gran medida de la estanqueidad de la cubierta de la cámara. Por lo tanto, la cámara de calentamiento debe ser cubierta durante el funcionamiento, y más aún cuando se utilizan no todas las plazas de contenedores GN.

Con el fin de evitar el sobrecalentamiento (resistencia) de los elementos de calentamiento, el dispositivo está provisto de un interruptor de seguridad. Esto corta la forma de alimentación de los elementos de calefacción cuando la temperatura interior de la cámara es superior a 140 ° C.

4. MANTENIMIENTO

- 4.1 Requisitos generales de seguridad.
- 4.2 Limpieza y mantenimiento general.
- 4.3 Eliminación del dispositivo.

4.1 REQUISITOS GENERALES DE SEGURIDAD

Todas las superficies de acero exteriores y todas las superficies internas del baño maría se deben limpiar diariamente con una pequeña cantidad de detergente y agua tibia. Después de ser limpiadas, las superficies deben enjuagarse con agua fría y se secan.

No limpie las superficies de acero resistentes a los ácidos con raspadores o productos de limpieza de alambre, ya que se pueden rayar las superficies.

Si el dispositivo no se vaya a utilizar durante mucho tiempo, cubrir sus superficies, en particular las superficies de funcionamiento, con una capa delgada de vaselina o un conservante que puede entrar en contacto con alimentos.

IMPORTANTE

NO lo limpie al baño maría con un chorro de agua, ya que esto puede dañar los componentes eléctricos o electrónicos, asegurando el correcto funcionamiento del dispositivo.

El dispositivo puede ser mantenido sólo por personal formado y especializado, utilizando ropa protectora adecuada (zapatos, guantes, gafas, etc), herramientas, instrumentos y accesorios.

Antes de utilizar o reparar el dispositivo, lea el manual de instrucciones que contenga los procedimientos correctos e información de seguridad.

4.2 LIMPIEZA Y MANTENIMIENTO GENERAL

Todas las superficies de acero exteriores y todas las superficies internas del baño de aire maría se deben limpiar diariamente con una pequeña cantidad de detergente y agua tibia. Después de la limpieza, las superficies deben enjuagarse con agua fría y se secan, con especial atención a la superficie superior del baño de aire maría.

No limpie las superficies de acero resistentes a los ácidos con raspadores o productos de limpieza de alambre, ya que se pueden rayar las superficies.

Si el dispositivo no se vaya a utilizar durante mucho tiempo, cubrir sus superficies, en particular las superficies de funcionamiento, con una capa delgada de vaselina o un conservante que puede entrar en contacto con alimentos.

IMPORTANTE

NO lo limpie al baño maría con un chorro de agua, ya que esto puede dañar los componentes eléctricos o electrónicos, asegurando el correcto funcionamiento del dispositivo.

Antes de iniciar un procedimiento de limpieza o mantenimiento, desconecte el aparato de la red. Después de la limpieza, deje el dispositivo abierto para que se seque.

Cuando se repara el aparato, el cable eléctrico y el enchufe deben estar a la vista y a la mano para que la persona que trabaja puede acceder a ellos fácilmente.

4.3 ELIMINACIÓN DEL DISPOSITIVO

Cuando la vida útil llega a su fin, el dispositivo se lo debe llevar a una instalación de eliminación de residuos electrónicos y eléctricos.

Esto se indica mediante un símbolo en el producto, en el manual de instrucciones y en el envase.

Con el fin de preparar el baño de aire maría para ser eliminado, es necesario ordenar los elementos del dispositivo de acuerdo con los materiales de que están hechos.

Dependiendo del material de que estos elementos están hechos (ver los símbolos en los componentes), pueden ser reciclados. Tener residuos eléctricos y equipos electrónicos reciclados significa una contribución activa a la protección del medio ambiente.

Póngase en contacto con las autoridades locales para obtener más información sobre la instalación de recogida de residuos eléctricos más cercana.

Para proteger el medio ambiente, la entrega de conjunto de residuos a una instalación adecuada de conformidad con la normativa aplicable.

Asegúrese de que el equipo eléctrico se entrega a un centro en el que se dispondrá de manera adecuada. Algunos de los materiales utilizados pueden ser almacenados temporalmente, y algunos deben ser entregados inmediatamente a una instalación adecuada. En cada caso se deben observar las normas de protección del medio ambiente.

Antes de desechar el dispositivo, verificar su estado técnico. En particular, compruebe los elementos de construcción que pueden causar fugas cuando son desechados. Diferentes partes del dispositivo se disponen de manera diferente, en función de sus características (por ejemplo, metales, aceites, lubricantes, plásticos, caucho, etc.)

5. SOLUCIÓN DE PROBLEMAS

5.1 INFORMACIÓN DE FALLOS Y AVERÍAS

IMPORTANTE

Subconjuntos eléctricos podrán ser sustituidos por un técnico de servicio autorizado.

Debe seguir el principio de desconectar el cable de alimentación de la fuente de alimentación antes de sustituir los componentes eléctricos.

Debe seguir el principio de desconectar el cable de alimentación de la fuente de alimentación antes de sustituir los componentes eléctricos.

FALLO	CAUSA POSIBLE	SOLUCIÓN
La cámara del baño de aire maría no se calienta; los interruptores y el termorregulador están puestos; la lámpara de control no funciona.	<ul style="list-style-type: none"> - Fallo de la fuente de alimentación. - Los terminales de los conductores se aflojaron en la regleta. - El termorregulador o el interruptor térmico está dañado. - Los interruptores están dañados. 	<p>Conectar a la fuente de alimentación.</p> <p>Fijar adecuadamente los conductores a la regleta.</p> <p>Reemplazar los componentes dañados.</p>
La cámara de baño de aire maría no se calienta lo suficiente.	<ul style="list-style-type: none"> - Algunos elementos calefactores están desconectados. - Los elementos de calefacción están dañados. 	<p>Compruebe que los elementos de calentamiento están conectados correctamente.</p> <p>Reemplace los componentes dañados.</p>
La lámpara de control de los elementos de calefacción no se enciende, aunque estos elementos se calientan.	<ul style="list-style-type: none"> - La lámpara de control se ha quemado. - El circuito eléctrico de la lámpara de control está abierto. 	<p>Vuelva a colocar la lámpara de control.</p> <p>Repáre los cables de la lámpara de control.</p>

La garantía no cubre lo siguiente:

Bulbos, elementos de goma, elementos de calefacción dañados por la escala de calderas, paneles, cualquier daño mecánico o de cualquier daño causado por el uso incorrecto del dispositivo en violación de las instrucciones.

En caso de un fallo, retire la comida mantenida en el dispositivo para evitar que se eche a perder. EDENOX no se responsabiliza de cualquier mercancía desperdiciada, como resultado de un fallo.

1. WPROWADZENIE

- 1.1 Prezentacja urządzenia i poszczególnych modeli
- 1.2 Ważne aspekty bezpieczeństwa
- 1.3 Parametry techniczne

1.1 PREZENTACJA URZĄDZENIA I POSZCZEGÓLNYCH MODELI

Budowa bamaru powietrznego jednokomorowego oparta jest na jednej komorze powietrznej (Rysunek 2 „F”). Wielkość komory zależna jest od modelu urządzenia. Modele mogą pomieścić określona liczbę pojemników GN 1/1: DBSA-211 – 2 pojemniki, 311 – 3 pojemniki, 411 – 4 pojemniki oraz 511 – 5 pojemników. Wewnątrz komory powietrznej, w jej spodniej części rozmieszczone są elementy grzejne (Rysunek 2 „M”), przykryte od góry perforowanymi półkami (Rysunek 2 „L”).

Dodatkowo w pobliżu skrajnego prawego elementu grzejnego umieszczony jest uchwyt z czujnikiem temperatury (Rysunek 2 „N”) termicznego wyłącznika bezpieczeństwa. Poniżej komory powietrznej, po prawej stronie znajduje się panel sterowania urządzenia (Rysunek 2 „D”) (Rysunek 1 – włącznik „C”, termostat „A”, kontrolka „B”).

1.2 WAŻNE ASPEKTY BEZPIECZEŃSTWA.



Bemar powietrzny zasilany jest prądem elektrycznym. Może być obsługiwany przez personel, który został przeszkolony w zakresie obsługi profesjonalnych urządzeń gastronomicznych.

Serwis bamaru może być przeprowadzony przez personel posiadający odpowiednie przeszkolenie w zakresie serwisowania profesjonalnych urządzeń gastronomicznych.

Podczas pracy z bemarkiem powietrznym należy ściśle przestrzegać następujących zasad bezpieczeństwa:

- zachowaj szczególną ostrożność przenosząc lub operując gorącym wsadem bamaru, nie rozlewaj płynów na elementy grzejne – maksymalna temperatura ich pracy sięga 480°C;
- zanim rozpoczniesz myć urządzenie upewnij się, że pokrętko termostatu jest w pozycji zerowej, a całe urządzenie odłączone jest od zasilania;
- po zaistnieniu usterki odłącz urządzenie od zasilania i wezwij do niego serwis;
- podłącz urządzenie do zasilania dopiero po usunięciu awarii.

Stanowczo zabrania się:

- czyszczenia oraz usuwania usterek, podczas gdy bemar jest włączony;
- schładzania elementów grzejnych wodą lub innymi cieczami;
- pozostawiać działające urządzenie bez nadzoru;
- podtrzymywania długotrwałej pracy urządzenia na pełnej mocy i w najwyższej temperaturze z odkrytą komorą powietrzną;
- pracy z urządzeniem bez podłączonego uziemienia;
- pracy bez odzieży ochronnej z urządzeniem;
- przenoszenia lub transportu urządzenia bez palety, lub przystosowanego do tego podestu.

Producent nie ponosi odpowiedzialności za szkody wynikające z nieprzestrzegania zasad umieszczonych w instrukcji, dlatego zalecamy uważnie przeczytać informacje zawarte w niniejszej instrukcji użytkownika

Prosimy zachować instrukcję w celu wykorzystania jej w przyszłości.

Uwaga !!! Nie uruchamiać wyrobu niesprawnego technicznie.

1.3 PARAMETRY TECHNICZNE

MODEL	WYMIARY ZEWNĘTRZNE (mm)			POJEMNOŚĆ GN 1/1	*OTWÓR MONTAŻOWY		MODEL	WYMIARY ZEWNĘTRZNE (mm)
	Dł.	Szer.	Wys.		Dł.	Szer.		
DBM-211-S-A	790	610	364	2 x GN1/1	770	585	230/50	1200
DBM-311-S-A	1115	610	364	3 x GN1/1	1095	585	230/50	1800
DBM-411-S-A	1440	610	364	4 x GN1/1	1420	585	230/50	2400
DBM-511-S-A	1765	610	364	5 x GN1/1	1745	585	230/50	3000

INSTALACJA

- 2.1 Informacje ogólne.
- 2.2 Transport, podnoszenie, rozpakowanie, przechowywanie.
- 2.3 Przeznaczenie i ograniczenia.
- 2.4 Wygląd i opis naklejki znamionowej producenta.
- 2.5 Instalacja i montaż.
- 2.6 Podłączenie urządzenia (elektryczne, gazowe, wodne).

2.1 INFORMACJE OGÓLNE.

Bemar powietrzny powinien być rozpakowany, zainstalowany i przetestowany przez wykwalifikowanych pracowników serwisu. Po wniesieniu urządzenia do docelowego pomieszczenia należy pozostawić go na około 6 godzin, do momentu aż osiągnie temperaturę otoczenia. Po tym czasie można przystąpić do podłączania urządzenia do zasilania.

Kabel zasilający powinien mieć przekrój żyły nie mniejszy niż wartości podane w tabeli poniżej.

Model	Oznaczenie przewodu zasilającego (gatunek, liczba żył i przekrój poprzeczny żyły)
DBM-211-S-A, 311	PCG 3 x 1,5 mm ²
DBM-411-S-A, 511	PCG 3 x 2,5 mm ²

Wyłącznik prądu powinien zapewniać trwałe i bezpieczne rozłączenie wszystkich faz prądu zasilających urządzenie; powinien być połączony bezpośrednio z terminalem zasilającym (skrzynką elektryczną); po rozłączeniu obwodu odstęp między zworkami wyłącznika nie powinien być mniejszy niż 3mm.

Po instalacji urządzenia należy sprawdzić upływność prądu. Wartość upływności przypadająca na 1kW mocy urządzenia powinna być mniejsza niż 1mA.

Uwaga !!!

Należy sprawdzić podłączenie do listwy ekwipotencjalnej, jeśli taka jest wymagana.

2.2 TRANSPORT, PODNOSZENIE, ROZPAKOWANIE, PRZECHOWYWANIE.

Prawidłowy i bezpieczny transport i przenoszenie:

- używaj sprzętu najlepiej dopasowanego do ciężaru i budowy urządzeń;
- osłoń ostre krawędzie i naroża;

Przed przenoszeniem:

- zabezpiecz plac manewrowy przed niepowołanym wtargnięciem na niego innych osób;
- sprawdź czy na pewno ładunek jest poprawnie zabezpieczony;
- upewnij się, że podczas podnoszenia nie spadną żadne nieumocowane komponenty;
- staraj się manewrować w pionie w celu uniknięcia obtłuczeń;
- podczas przenoszenia urządzenia staraj się operować na możliwie najniższym poziomie.

2.3 PRZEZNACZENIE I OGRANICZENIA.

Bemar powietrzny służy do eksponowania i przechowywania wcześniej przygotowanych gorących potraw w pojemnikach GN przed podaniem do konsumpcji.

Przed rozpoczęciem pracy z bemarem powietrznym, należy sprawdzić sprawność i niezawodność instalacji elektrycznej.

Po zakończeniu pracy ustaw pokrętko mocy w pozycji „0” (Rysunek 1 „Punkt 0”).

Wyłącz urządzenie wyłącznikiem (wyłącznik w pozycji „0”) znajdującym się na panelu sterowania (Rysunek 1 „C”) a następnie odłącz kabel zasilający bemar powietrzny.

UWAGA !!!

Przed pierwszym użyciem należy usunąć folie ochronną oraz substancję ochronną z powierzchni bemaru, skupiając się na wewnętrznej powierzchni komory urządzenia, perforowanych półkach oraz okolicach elementów grzejnych przecierając je miękką szmatką nasączoną wodnym roztworem mydła.

2.4 WYGLĄD I OPIS NAKLEJKI ZNAMIONOWEJ PRODUCENTA.



Naklejka umieszczona na urządzeniu powinna zawierać następujące informacje:

1. Logo producenta.
2. Kraj pochodzenia produktu.
3. Rok produkcji.
4. Numer seryjny.
5. Model.
6. Napięcie pracy.
7. Częstotliwość prądu.
8. Moc znamionowa.
9. Symbol CE.
10. Symbol złomowania.

2.5 INSTALACJA I MONTAŻ.

Instalację barmaru powietrznego należy przeprowadzić w określonym poniżej porządku:

- usunąć folie ochronną ze wszystkich metalowych powierzchni; barmar powinien być umieszczony w dobrze wentylowanym pomieszczeniu, jeśli istnieje taka możliwość – pod okapem wentylacyjnym; barmar może być zainstalowany w podstawie wolnostojącej lub w ciągu, z innymi urządzeniami kuchennymi;

- przyłącze elektryczne bemału powietrznego powinno być wykonane zgodnie z obowiązującymi przepisami;
- instalacja i podłączenie powinno być wykonane w taki sposób by uniemożliwiało dostęp do elementów mogących znajdować się pod napięciem bez konieczności użycia narzędzi; bezpieczniki w instalacji zasilającej bemał powinny być przeznaczone do prądu 25A;
- umieścić bemał powietrzny w odpowiednio do tego przygotowanym miejscu; przymocuj bemał do blatu korzystając z uchwytów do mocowania (Rysunek 2 „E”) dostępnych na zewnętrznych, pionowych ściankach urządzenia; regulacja wysokości oraz wypoziomowanie urządzenia powinno być wykonane przed zamocowaniem urządzenia w podstawie;
- podłącz uziemienie urządzenia do listwy uziemiającej tak by nie można było odłączyć go w sposób nieświadomy i nieoczekiwany; przewód zasilający powinien zawierać przewód ochronny;
- do podłączenia urządzenia użyć przewodu o odpowiedniej długości; użyty przewód powinien zwiąć swobodnie z urządzenia (w żadnym przypadku przewód nie może być napięty), powinien być dokładnie i trwale przymocowany do zacisków kostki przyłączeniowej i oraz do zacisków wtyczki zasilającej;

Kabel zasilający powinien mieć przekrój żył nie mniejszy niż wartości podane w tabeli poniżej.

Model	Oznaczenie przewodu zasilającego (gatunek, liczba żył i przekrój poprzeczny żyły)
DBM-211-S-A, 311	PCG 3 x 1,5 mm ²
DBM-411-S-A, 511	PCG 3 x 2,5 mm ²

2.6 PODŁĄCZENIE URZĄDZENIA (ELEKTRYCZNE, GAZOWE, WODNE).

Kabel zasilający zastosowany w urządzeniu powinien mieć 3 żyły, których przekroje nie mogą być mniejsze niż sugerowane w niniejszej instrukcji.

Urządzenie przystosowane jest do zasilania z sieci 230V, 50-60Hz. Przewód zasilający wyposażony jest w kabel ochronny PE.

Przyłącze elektryczne znajduje przy podstawie, w tylnej części urządzenia.

UWAGA !!!

Przed pierwszym użyciem należy usunąć folię i substancję ochronną z powierzchni komory bemału oraz perforowanych półek przecierając je miękką szmatką nasączoną wodnym roztworem mydła.

3. OBSŁUGA

- 3.1 Informacje ogólne.
- 3.2 Opis panelu sterowania.
- 3.3 Tryby pracy I konfiguracja urządzenia.

3.1 INFORMACJE OGÓLNE.

Chcąc zapewnić bezpieczeństwo pracy, obsługi, długotrwałego i bezawaryjnego funkcjonowania urządzenia należy przestrzegać następujących zasad:

- przeszkolić personel obsługujący urządzenie w zakresie eksploatacji profesjonalnych elektrycznych urządzeń gastronomicznych;
- wszelkich napraw urządzenia może dokonywać osoba do tego uprawniona;
- uszkodzone komponenty lub podzespoły powinny być wymienione na identyczne lub takie, które posiadają tę samą żywotność, właściwości i parametry techniczne.

Zabrania się:

- podłączać urządzenie do sieci za pośrednictwem gniazdka NIE posiadającego kołka uziemiającego;
- podłączania urządzenia do instalacji elektrycznej nie sprawdzonej pod kątem ochrony przeciwporażeniowej;
- mycia, czyszczenia oraz dokonywania napraw serwisowych urządzenia podłączonego do sieci elektrycznej.

UWAGA !!! NIE UŻYWAJ strumienia wody do mycia elektrycznego bamaru powietrznego.

UWAGA !!! Za użytkowanie urządzenia niezgodne z przeznaczeniem lub zaleceniami niniejszej instrukcji, producent nie ponosi żadnej odpowiedzialności.

3.2 OPIS PANELU STEROWANIA.

Panel sterowania usytuowany jest po prawej stronie urządzenia pod komorą powietrzną bamaru (Rysunek 2 „D”). Znajduje się na nim (patrz Rysunek 1) pokrętło termostatu „A”, lampka kontrolna „B” oraz włącznik prądowy „C”. Pokrętło termostatu służy do regulacji temperatury powietrza w komorze grzewczej. Zakres kontroli temperatury jest płynny od 30°C do 90°C.

Lampka kontrolna „B” sygnalizuje osiągnięcie żądanej temperatury w komorze powietrznej bamaru. Włącznikiem prądowym uruchamiamy urządzenie (włącznik w pozycji „1”) lub odłączamy od zasilania (włącznik w pozycji „0”).

3.3 TRYBY PRACY I KONFIGURACJA URZĄDZENIA.

Regulacja temperatury komory bamaru odbywa się za pomocą pokrętła termostatu (Rysunek 1 „A”). Regulacja jest płynna w zakresie 30°C – 90°C. Lampka kontrolna (Rysunek 1 „B”) sygnalizują nagrzewanie się elementów grzejnych zapala się każdorazowo gdy temperatura wewnątrz komory bamaru spadnie o kilka – kilkanaście stopni.

Czas nagrzewania powietrza w komorze bamaru do oczekiwanej temperatury zależy w głównej mierze od szczelności pokrywy komory. Dlatego ważne jest by w trakcie pracy urządzenia komora grzewcza była przykryta zwłaszcza gdy nie wszystkie miejsca na pojemniki GN są wykorzystywane.

W celu uniknięcia przegrzania elementów grzejnych (rezystancji) w urządzeniu zastosowano termiczny wyłącznik bezpieczeństwa. Wyłącznik ten odcina zasilanie elementów grzejnych w momencie gdy temperatura wewnątrz komory przekroczy 140°C.

4. KONSERWACJA

- 4.1 Ogólne wymogi bezpieczeństwa.
- 4.2 Czyszczenie i konserwacja doraźna urządzenia.
- 4.3 Utylizacja urządzenia.

4.1 OGÓLNE WYMOGI BEZPIECZEŃSTWA.

Codziennie myj wszystkie stalowe powierzchnie zewnętrzne urządzenia oraz wewnętrzne powierzchnie komory bemału używając do tego letniej wody i odrobiny detergentu. Po umyciu powierzchnie należy opłukać zimną wodą i osuszyć.

Do mycia powierzchni wykonanych ze stali kwasoodpornej nie używaj skrobaczek lub czyścików drucianych mogących rysować powierzchnie.

Jeśli urządzenie nie będzie użytkowane przez dłuższy okres czasu, pokryj powierzchnie użytkowe cienką warstwą wazeliny lub środka konserwującego przeznaczonego do kontaktu z żywnością, szczególnie powierzchnie wewnętrzne komory bemału.

WAŻNE !!!

Nie myj bemału przy użyciu strumienia wody gdyż możesz uszkodzić w ten sposób komponenty elektryczne lub elektroniczne ważne dla poprawnego funkcjonowania urządzenia.

Konserwacja urządzenia może być przeprowadzona tylko przez przeszkolony i wyspecjalizowany personel techniczny wyposażony w odpowiednią odzież ochronną (odpowiednie obuwie, rękawice, okulary ochronne, etc.), narzędzia, przyrządy, przybory pomocnicze.

Przed podjęciem jakichkolwiek prac na urządzeniu lub jego napraw, zawsze zapoznaj się uprzednio z instrukcją obsługi, która podaje odpowiednie procedury oraz zawiera informacje istotne dla bezpieczeństwa.

4.2 CZYSZCZENIE I KONSERWACJA DORAŻNA URZĄDZENIA.

Codziennie myj wszystkie stalowe powierzchnie zewnętrzne urządzenia oraz wewnętrzne powierzchnie komory bemału używając do tego letniej wody i odrobiny detergentu. Po umyciu powierzchnie należy opłukać zimną wodą i osuszyć, poświęcając szczególną uwagę dolnej powierzchni wewnętrznej komory bemału.

Do mycia powierzchni wykonanych ze stali kwasoodpornej nie używaj skrobaczek lub czyścików drucianych mogących rysować powierzchnie.

Jeśli urządzenie nie będzie użytkowane przez dłuższy okres czasu, pokryj powierzchnie użytkowe cienką warstwą wazeliny lub środka konserwującego przeznaczonego do kontaktu z żywnością, szczególnie powierzchnie wewnętrzne komory bemału powietrznego oraz perforowane półki.

WAŻNE !!!

Nie myj bemału przy użyciu strumienia wody gdyż możesz uszkodzić w ten sposób komponenty elektryczne lub elektroniczne ważne dla poprawnego funkcjonowania urządzenia.

Przed przystąpieniem do operacji czyszczenia lub konserwacji należy trwale odłączyć urządzenie od zasilania. Po umyciu pozostawić urządzenie zablokowane w pozycji otwartej do osuszenia.

Podczas obsługi urządzenia przewód zasilający i wtyczka elektryczna powinny znajdować się na widoku i w zasięgu ręki osoby pracującej na urządzeniu.

4.3 UTYLIZACJA URZĄDZENIA.

Po okresie żywotności urządzenie nie może być wyrzucone na śmietnik ale musi być przekazane do punktu zbiórki odpadów elektrycznych i sprzętu elektronicznego w celu recyklingu.

Odnosi się do tego symbol umieszczony na produkcie, w instrukcji obsługi oraz na opakowaniu.

Przygotowując elektryczny bemaer powietrzny do recyklingu należy posegregować elementy urządzenia w grupy zgodnie z materiałami, z jakich zostały wykonane.

Zależnie od materiału z jakiego zostały wykonane (patrz na symbole umieszczone na komponentach) elementy mogą być przekazane do ponownego przetworzenia. Oddając odpady elektryczne i sprzęt elektroniczny do ponownego przetworzenia czynnie przyczyniasz się do ochrony środowiska naturalnego.

Skontaktuj się z lokalnymi władzami, aby uzyskać więcej informacji o najbliższym punkcie zbiórki odpadów elektrycznych.

Aby chronić środowisko przekaz zużyty sprzęt do odpowiedniego miejsca, zgodnie z obowiązującymi przepisami.

Upewnij się, że zużyty sprzęt elektryczny trafi do punktu, w którym zostanie w odpowiedni sposób zutylizowany. Niektóre z użytych materiałów mogą być tymczasowa przechowywane do momentu ich utylizacji a niektóre przekazane na stałe do składowania w odpowiednich miejscach. W każdym przypadku przepisy dotyczące ochrony środowiska naturalnego muszą być respektowane.

Przed utylizacją urządzenia dokładnie sprawdzić jego stan techniczny. W szczególności zwróć uwagę na elementy konstrukcji, które mogą być przyczyną wycieków w trakcie likwidacji. Różne części urządzenia należy usunąć w sposób zróżnicowany, w zależności od ich cech (np. metale, oleje, smary, plastiki, gumy, itp.).

5. ROZWIĄZYWANIE PROBLEMÓW

5.1 Rozwiązywanie problemów – przewodnik.

5.1 ROZWIĄZYWANIE PROBLEMÓW – PRZEWODNIK.

WAŻNE !!!

Wymiana podzespołów elektrycznych może być wykonana tylko i wyłącznie przez pracownika autoryzowanego serwisu.

Zasadą jest, że przy każdej wymianie komponentów elektrycznych, kabel zasilający urządzenia należy bezwzględnie odłączyć od źródła zasilania.

Typowe usterki mogące pojawić się w urządzeniu, związane z instalacją elektryczną, wymienione są poniżej i powinny być usunięte przez wykwalifikowany personel techniczny.

PROBLEM	MOŻLIWA PRZYCZYNA	ROZWIĄZANIE
Komora bamaru nie nagrzewa się, włączniki i termoregulator są włączone, lampka kontrolna nie świeci się.	<ul style="list-style-type: none"> - Brak zasilania. - Mocowania przewodów na listwie zasilającej poluzowały się. - Termoregulator lub wyłącznik termiczny są uszkodzone. - Przełączniki są uszkodzone. 	<p>Podłącz napięcie. Dokładnie zamocuj przewody do listwy zasilającej. Wymień uszkodzone komponenty.</p>
Powietrze w komorze bamaru nagrzewa się niewystarczająco.	<ul style="list-style-type: none"> - Odłączona jest część elementów grzejnych. - Uszkodzone elementy grzejne. 	<p>Sprawdź podłączenie elementów grzejnych. Wymień uszkodzone komponenty.</p>
Lampka kontrolna elementów grzewczych nie zapala się, element grzewcze nagrzewają się.	<ul style="list-style-type: none"> - Wypalona lampka kontrolna. - Przerwany obwód elektryczny lampki kontrolnej. 	<p>Wymień lampkę kontrolną. Naprawić wiązkę elektryczną lampki kontrolnej.</p>

Gwarancji nie podlegają:

Żarówki, elementy gumowe, elementy grzewcze zniszczone poprzez działanie kamienia kotłowego, szyby, oraz wszelkiego rodzaju uszkodzenia mechaniczne, jak również uszkodzenia wynikłe z nieprawidłowego użytkowania urządzenia, niezgodnie z powyższą instrukcją.

W razie wystąpienia awarii, należy przechowywane w urządzeniu produkty zabezpieczyć przed zniszczeniem. EDENOX nie ponosi odpowiedzialności za towar zniszczony w wyniku awarii urządzenia

5. SOLUCIÓN DE PROBLEMAS

5.1 INFORMACIÓN DE FALLOS Y AVERÍAS

IMPORTANTE

Subconjuntos eléctricos podrán ser sustituidos por un técnico de servicio autorizado.

Debe seguir el principio de desconectar el cable de alimentación de la fuente de alimentación antes de sustituir los componentes eléctricos.

Debe seguir el principio de desconectar el cable de alimentación de la fuente de alimentación antes de sustituir los componentes eléctricos.

FALLO	CAUSA POSIBLE	SOLUCIÓN
La cámara del baño de aire maría no se calienta; los interruptores y el termorregulador están puestos; la lámpara de control no funciona.	<ul style="list-style-type: none"> - Fallo de la fuente de alimentación. - Los terminales de los conductores se aflojaron en la regleta. - El termorregulador o el interruptor térmico está dañado. - Los interruptores están dañados. 	<p>Conectar a la fuente de alimentación.</p> <p>Fijar adecuadamente los conductores a la regleta.</p> <p>Reemplazar los componentes dañados.</p>
La cámara de baño de aire maría no se calienta lo suficiente.	<ul style="list-style-type: none"> - Algunos elementos calefactores están desconectados. - Los elementos de calefacción están dañados. 	<p>Compruebe que los elementos de calentamiento están conectados correctamente.</p> <p>Reemplace los componentes dañados.</p>
La lámpara de control de los elementos de calefacción no se enciende, aunque estos elementos se calientan.	<ul style="list-style-type: none"> - La lámpara de control se ha quemado. - El circuito eléctrico de la lámpara de control está abierto. 	<p>Vuelva a colocar la lámpara de control.</p> <p>Repáre los cables de la lámpara de control.</p>

La garantía no cubre lo siguiente:

Bulbos, elementos de goma, elementos de calefacción dañados por la escala de calderas, paneles, cualquier daño mecánico o de cualquier daño causado por el uso incorrecto del dispositivo en violación de las instrucciones.

En caso de un fallo, retire la comida mantenida en el dispositivo para evitar que se eche a perder. EDENOX no se responsabiliza de cualquier mercancía desperdiciada, como resultado de un fallo.



ONNERA POLAND Sp. z o.o.

Palmiry ul. Warszawska 9

05-152 Czosnów

Tel.: +48 22 312 00 12

Fax: +48 22 312 00 13

edenox@edenox.com

www.edenox.com

Edenox S.A

Ctra.Artasona 11

22270 Amudevar (Huesca)

Office tel.: +34 93 565 11 30

Fax:+34 93 575 03 42

SPECIALIST IN STATIC PREPARATION AND FOOD DISTRIBUTION